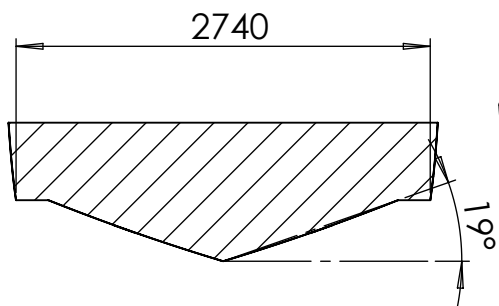
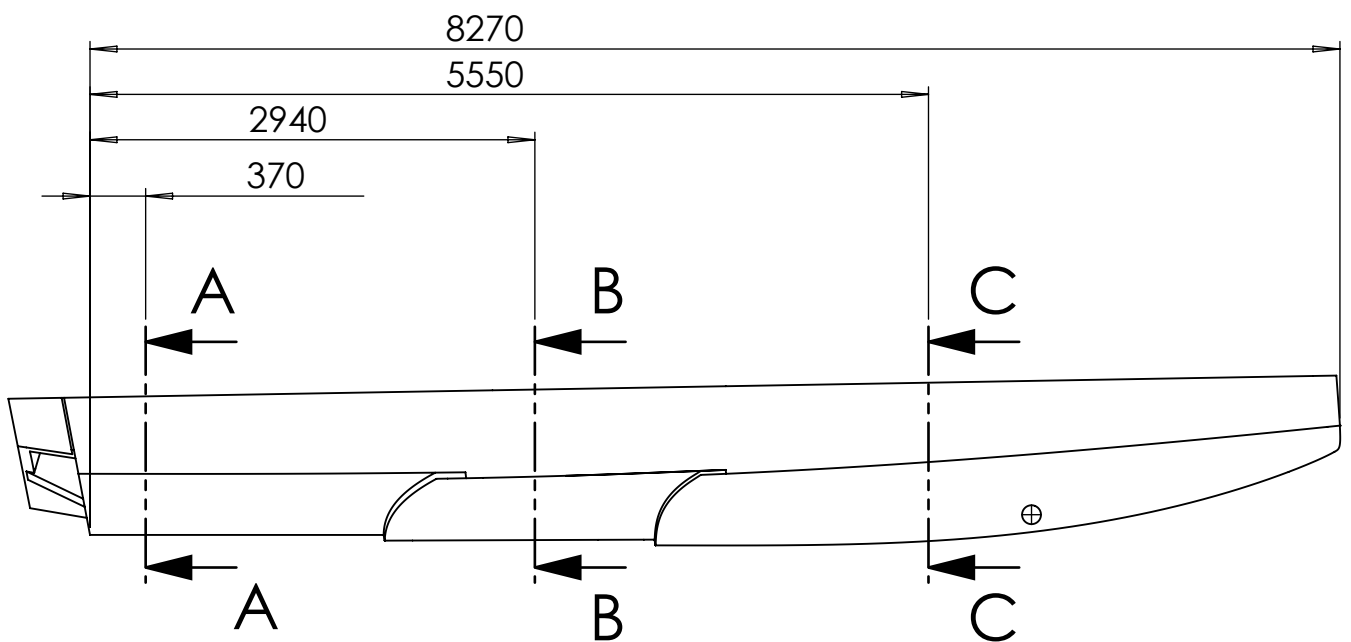
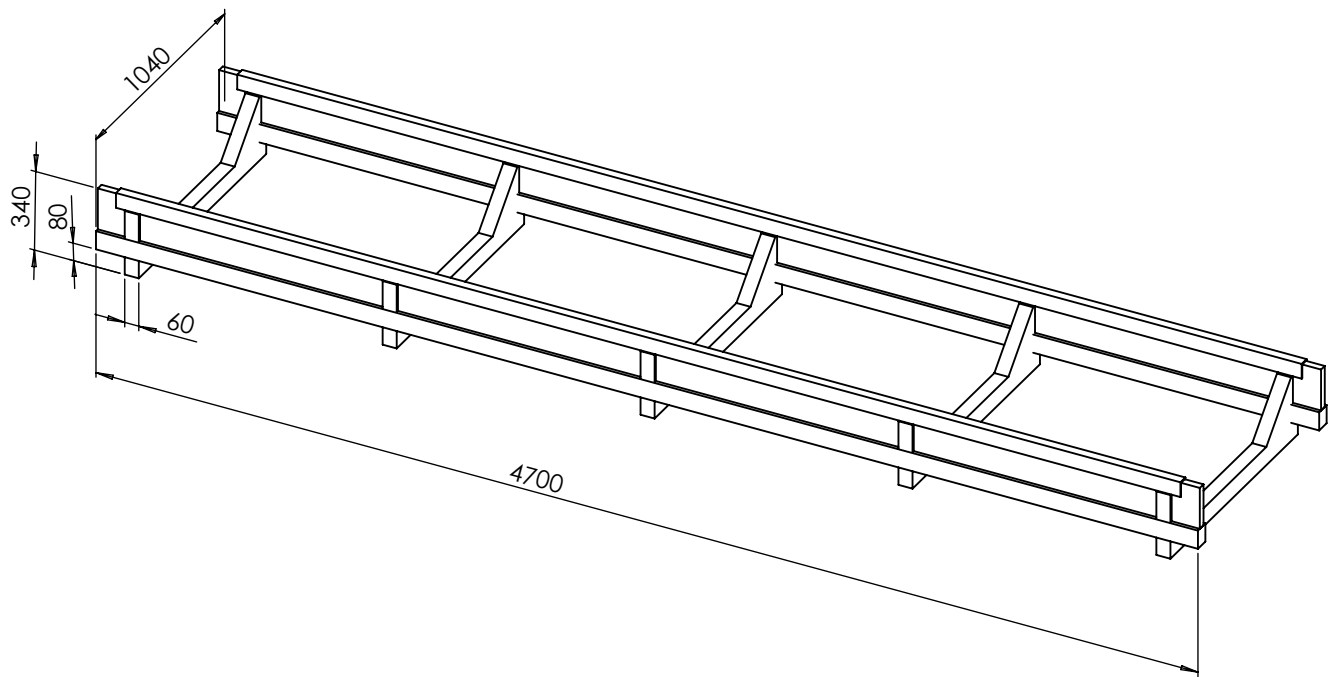
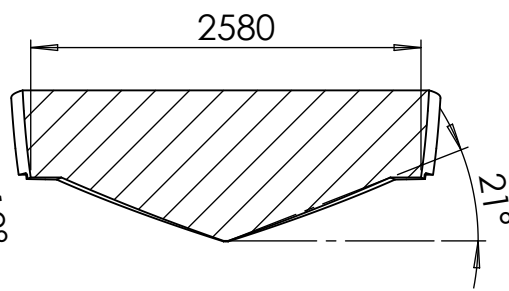


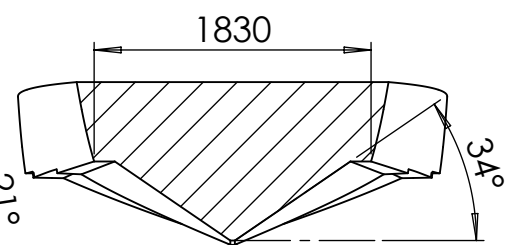
# AXOPAR 28



SECTION A-A



SECTION B-B



SECTION C-C